

# Key Technology Enablers

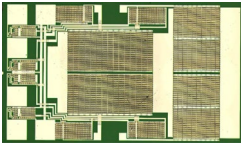
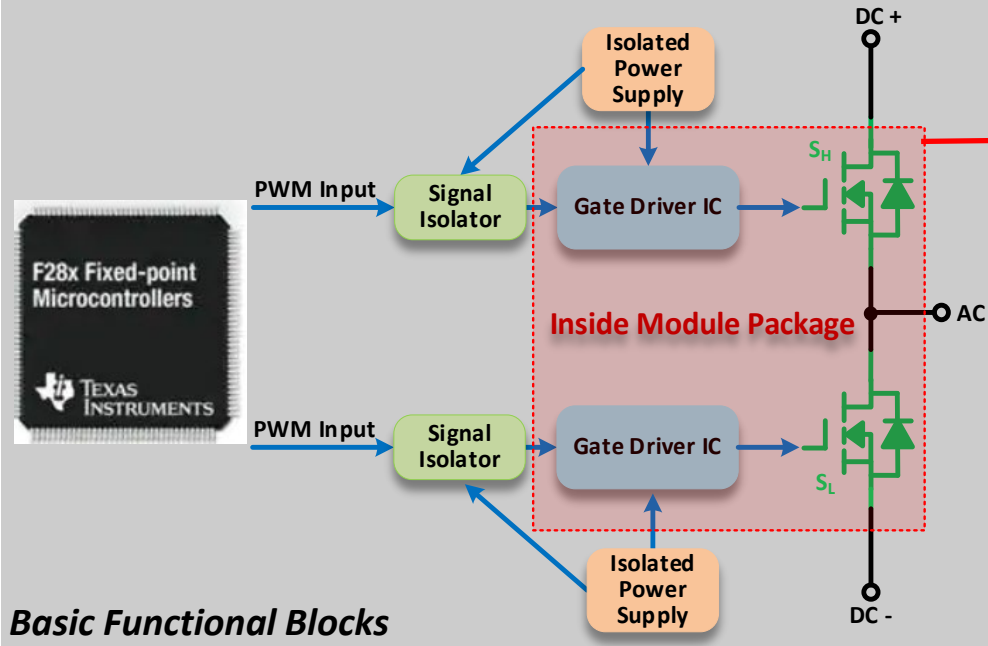
*ARPA-e*

1. *Integrated Gate Drive*
2. *High Temperature Capacitors*
3. *Advanced Cold Plate Design*

# Integrated SiC Gate Drivers

ARPA-e

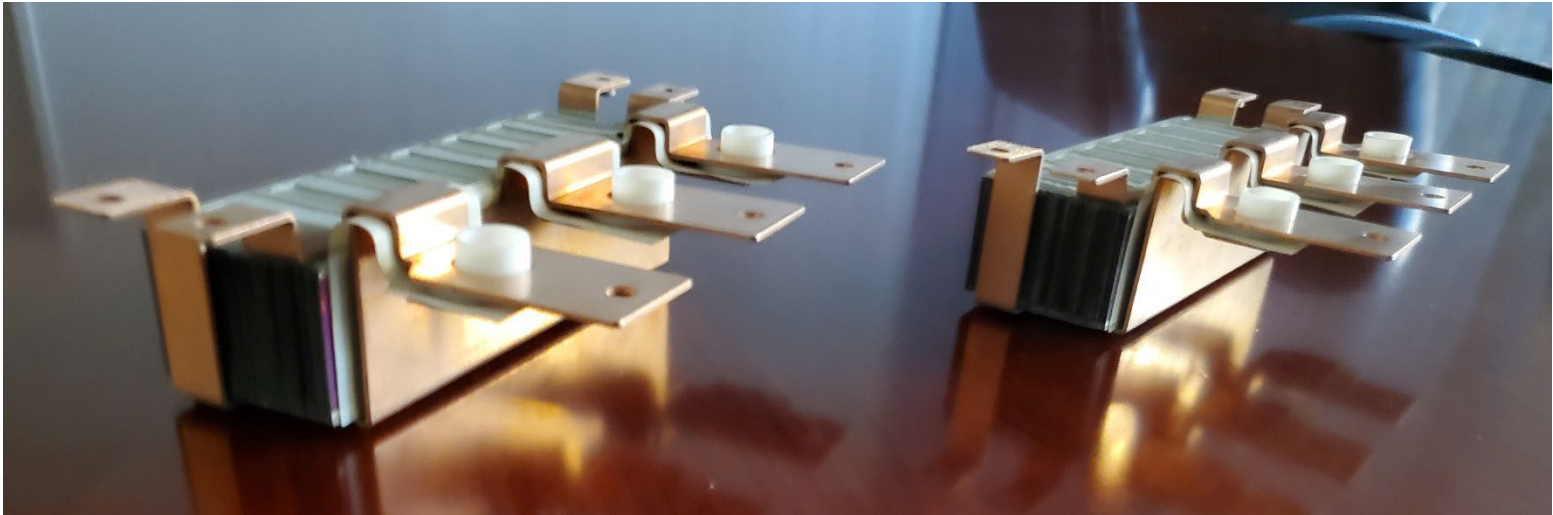
Wolfspeed's HT-3000  
module platform



**SiC Gate driver**

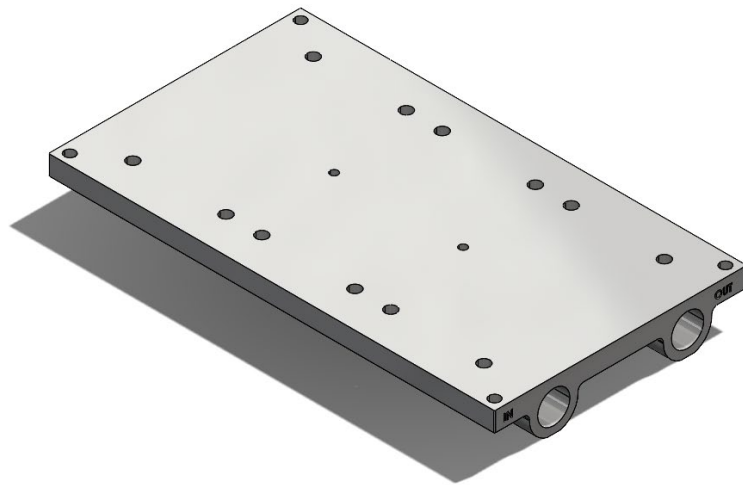
# High Temperature Capacitors

*ARPA-e*



# Advanced Cold Plate Design

ARPA-e

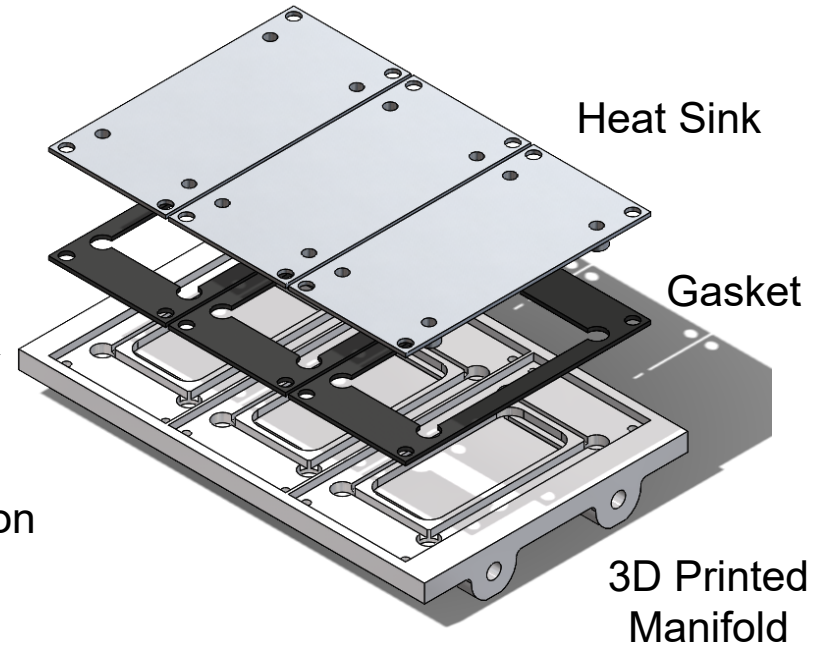


All Metal COTS CP

~50 % Mass Saving



EMI Reduction



Customized Hybrid CP